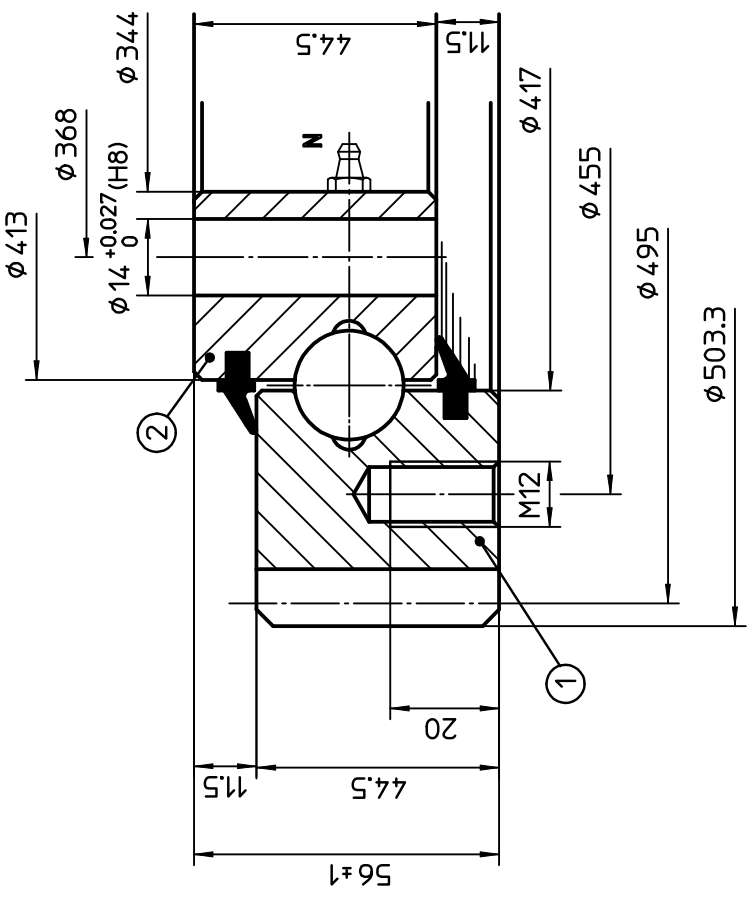
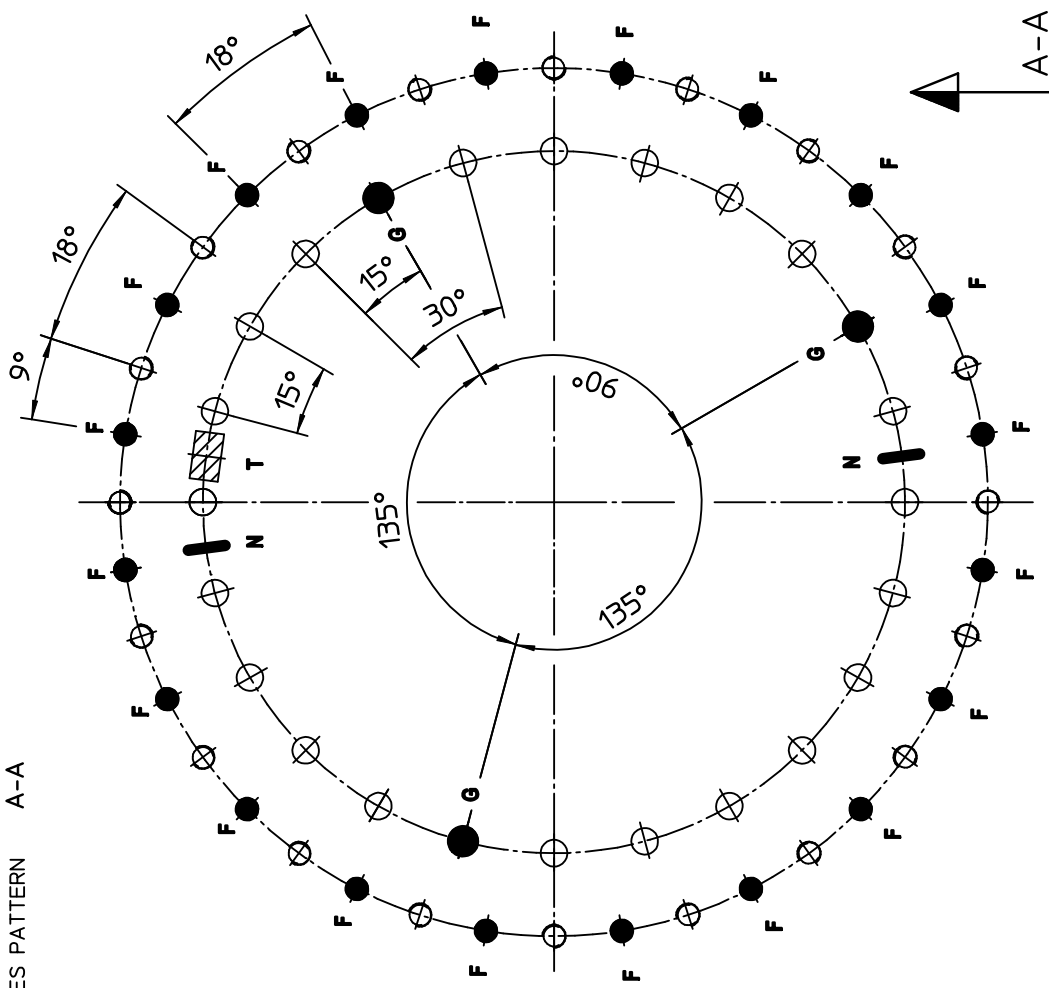
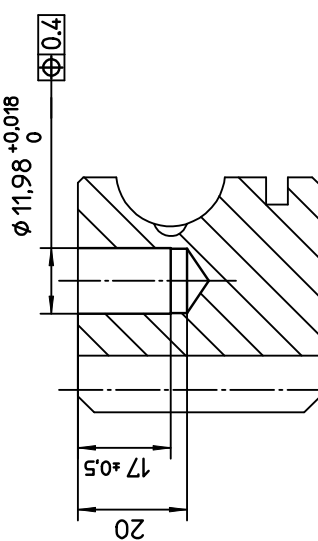


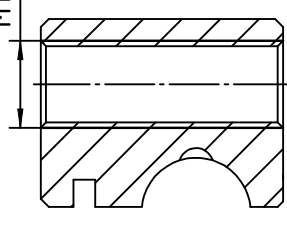
SCHEMA FORATURA A-A  
HOLES PATTERN A-A



Particolare/Detail F (20x)



Particolare/Detail G (3x) M16



- DENTATURA - GEAR -		Fori fissaggio interno-outer		② 24 (21+3) non	Equidistanti
Modulo - Module	m 5	Mounting holes		① 20 (+20) not	Equally spaced
Numero denti - Nr of teeth	Z 99	Material		UNI EN 10083-1/2 09.98	Stato del materiale
Angolo pressione - Pressure angle	α 20°	Material treatment		② C45	Normalizzato
Correzione - Addendum modification	Xm /	Normalizzato		① C45	Normalized
Diametro Primitivo - Pitch diameter	Dp 495	Material		② C45	Normalizzato
Troncatura - Truncation	Km 0.85	Material treatment		① C45	Normalized
Misura cordale	176.6 0 -0.3	n° denti Teeth		12	
Measurement on teeth		k-N			
Forza periferica sul dente	Normale - Normal	k-N			
Tangential tooth load	Massimo - Maximum	k-N			
Codice-Code		Misure in Dimensioni in mm		Peso - Weight	
<b>VE050A33</b>		Data - Date		~30Kg.	
CUSINETTO SLEW RING		11/07/16		Disegnatore Draftisman	
CB-E-0503-D-1-06		UNI EN 22768-1 m		Nodari M.	
Formato		Dimension without tolerance		Visto - Approved	
A3		UNI EN 22768-1 m		Lazzaroni A.	
Rev. 1		Scale - Scala		1:1	
<p>The information contained in this document is CONFIDENTIAL and the sole property of LA LEONESSA S.p.A. The possession of the Confidential Information does not assign any right to commercial exploitation and does not allow the disclosure of such Confidential Information to third parties. The recipient must keep such information using appropriate security methods and must return any Confidential Information as well as any copy to LA LEONESSA S.p.A. upon request. In case of breach of the confidentiality obligations here provided, LA LEONESSA S.p.A. reserves the right to seek compensation for any damage, whether direct or indirect, suffered, as a consequence of such breach.</p>					

**LA LEONESSA**  
Carpenedolo  
(Brescia) ITALY  
Tel. 0309965435  
Fax 0309965629  
www.laleonessa.it